

## THC-T240-M 4 MP EXIR Turret Camera



### Key Features

- 4 MP high-performance CMOS
- 2560 × 1440 resolution
- 2.8 mm, 3.6 mm, 6 mm fixed lens
- Day/Night switch
- EXIR 2.0, smart IR, up to 40 m IR distance
- 4 in 1 video output (switchable TVI/AHD/CVI/CVBS)
- IP66

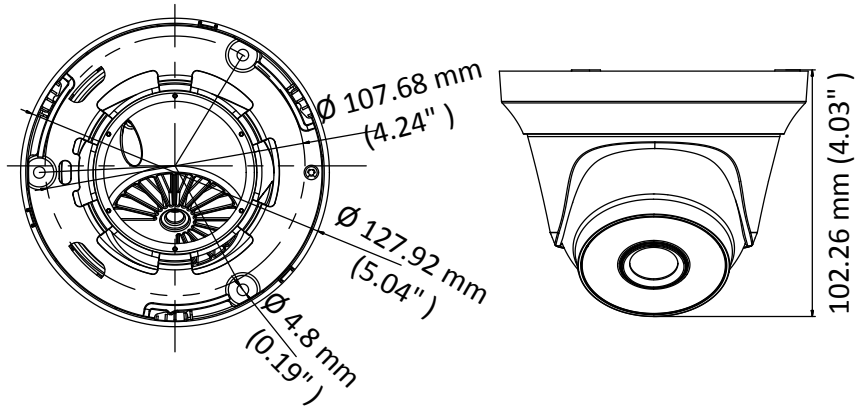
## Specifications

| <b>Camera</b>            |  |
|--------------------------|--|
| Image Sensor             | 4 MP CMOS image sensor   |
| Signal System            | PAL/NTSC   |
| Resolution               | 2560 (H) × 1440 (V)  |
| Min. Illumination        | 0.01 Lux@(F1.2, AGC ON), 0 Lux with IR                                       |
| Shutter Time             | 1/25 (1/30) s to 1/50,000 s  |
| Lens                     | 2.8 mm, 3.6 mm, 6 mm   |
| Horizontal Field of View | 100.2° (2.8 mm), 88° (3.6 mm), 56.9° (6 mm)                                  |
| Lens Mount               | M12  |
| Day & Night              | IR cut filter  |
| Angle Adjustment         | Pan: 0° to 360°, Tilt: 0° to 75°, Rotation: 0° to 360°                       |
| Synchronization          | Internal synchronization   |
| Video Frame Rate         | PAL: 1080p@25fps, 4 MP@25fps<br>NTSC: 1080p@30fps, 4MP@30fps                 |
| <b>Menu</b>              |  |
| AGC                      | High/Medium/Low/Off  |
| D/N Mode                 | Auto/Color/BW (Black and White)  |
| BLC                      | Support  |
| DWDR                     | Support  |
| Language                 | English  |
| Functions                | Brightness, Sharpness, DNR, Mirror, Smart IR                                 |
| <b>Interface</b>         |  |
| Video Output             | 1 HD analog output   |
| Switch Button            | TVI/AHD/CVI/CVBS   |
| <b>General</b>           |  |
| Operating Conditions     | -40 °C to 60 °C (-40 °F to 140 °F), Humidity: 90% or less (non-condensation) |
| Power Supply             | 12 VDC ± 15%   |
| Power Consumption        | Max. 4 W   |
| Protection Level         | IP66   |
| Material                 | Metal  |
| IR Range                 | Up to 40 m   |
| Dimensions               | Ø 127.92 mm × 102.26 mm (Ø 5.04" × 4.03")                                    |
| Weight                   | 450 g (0.99 lb.)   |

## Order Model

THC-T240-M

## Dimension



## Accessories



HIA-B402-130T  
Wall Mount



HIA-B301  
Vertical Pole Mount



HIA-B201  
Corner Mount



HIA-J103  
Junction Box



HIA-J202  
Inclined Ceiling Mount



HIA-B101-130T  
Pendant Mount