

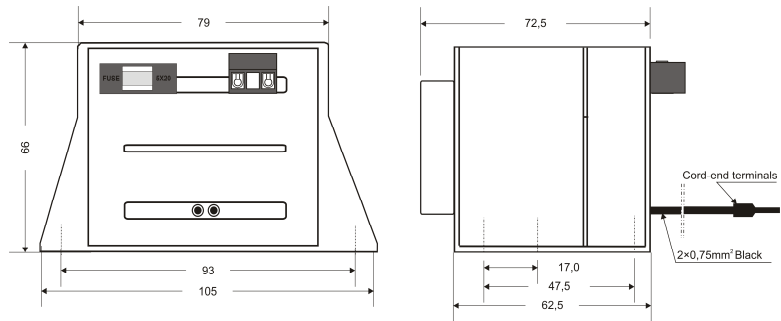
POWER: 100VA

Features

- Epoxy resin cast
- Two chambers bobbin
- Insulation primary-secondary: 4KV-1p
- Increased humidity resistance

Manufacturing standard: EN 61558

- Safety insulation transformer
- Max. ambient temperature: t_a 50°C
- Insulation class: B 130°C
- Double insulated
- Degree of protection: IP00
- Conditionally short-circuit safe



Application

- For power supply of safeguarding centres
- For power supply of other electrical devices

Usage features

- Direct fixing possibility to metal part.
- Built-in primary fuse.
- Terminal block connection at primary side with max. 2.5 mm² wire
- Connection at secondary side with 0.75 mm² and 40 cm long wire

Model number	Primary voltage	Secondary voltage	Secondary current
ME.TRE-100.75416/BSV 100VA	230V	16,5V	6,06A
ME.TRE-100.75418/BSV 100VA	230V	18V	5,55A
ME.TRE-100.75424/BSV 100VA	230V	24V	4,16A
ME.TRE-100.75440/BSV 100VA	230V	40V	2,50A
Prescribed primary circuit fuse: 800 mA _T			
Tolerance of secondary voltage: 5%			