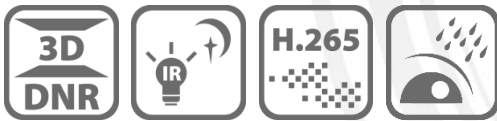


## IPC-D720H(E)-V/Z 2.0 MP VF Network Dome Camera



### Key Features

- 1/2.8" Progressive scan CMOS
- 1920 × 1080@25fps
- 2.8 mm to 8 mm manual/motorized (with -Z) varifocal lens
- H.265+, H.265, H.264+, H.264
- Dual stream
- 3D DNR (Digital Noise Reduction)
- Up to 20 m IR range
- PoE (Power over Ethernet)
- IP66, IK10
- EXIR

## Specification

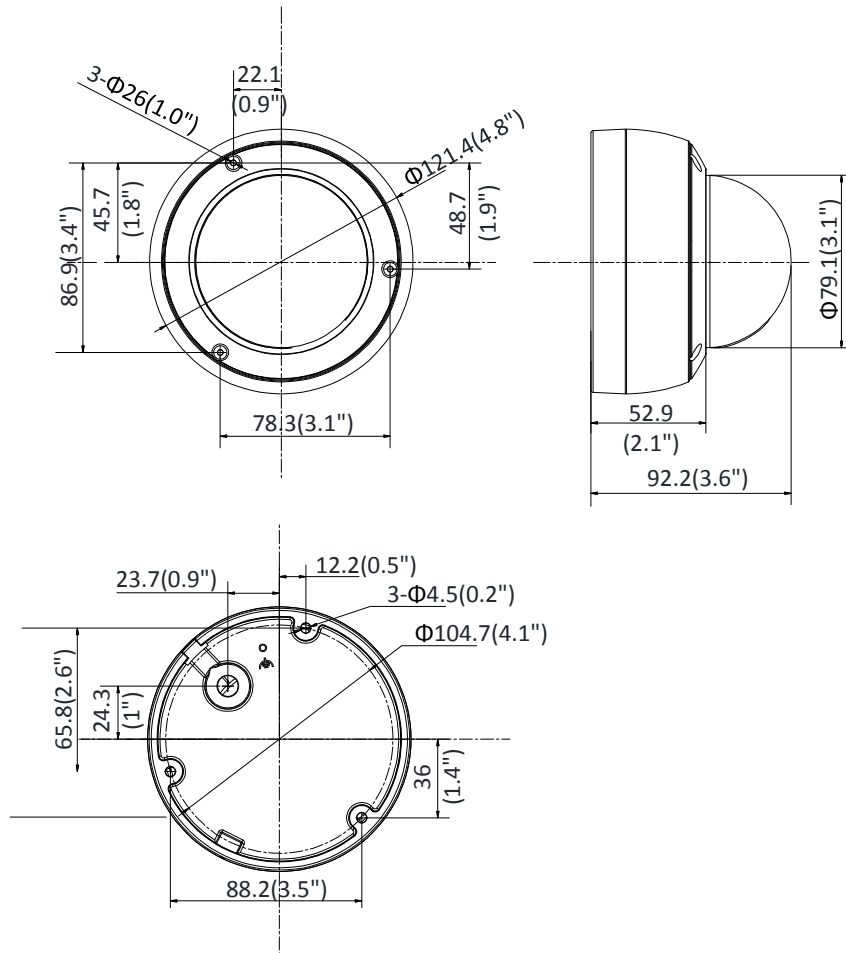
| <b>Camera</b>               |  |
|-----------------------------|--|
| Image Sensor                | 1/2.8" Progressive scan CMOS   |
| Min. Illumination           | Color: 0.01 Lux @ (F1.2, AGC ON), 0.025 Lux @ (F1.9, AGC ON)   |
| Shutter Speed               | 1/3 s to 1/100, 000 s  |
| Slow Shutter                | Yes  |
| Day & Night                 | IR cut filter  |
| Digital Noise Reduction     | 3D DNR   |
| WDR                         | Digital WDR  |
| Angle Adjustment            | Pan: 0° to 355°, tilt: 0° to 75°   |
| <b>Lens</b>                 |  |
| Focal length                | 2.8 to 8 mm  |
| Aperture                    | F1.9   |
| Focus                       | Without -Z model: Manual<br>-Z model: Auto   |
| FOV                         | Horizontal field of view: 111° to 54.7°<br>Vertical field of view: 57.8° to 30.5°<br>Diagonal field of view: 134° to 63°   |
| Lens Mount                  | Ø14  |
| <b>IR</b>                   |  |
| IR Range                    | Up to 20 m   |
| Wavelength                  | 850 nm   |
| <b>Compression Standard</b> |  |
| Video Compression           | Main stream: H.265/H.264<br>Sub-stream: H.265/H.264/MJPEG  |
| H.264 Type                  | Baseline Profile/Main Profile/High Profile   |
| H.264+                      | Main stream supports   |
| H.265 Type                  | Main Profile   |
| H.265+                      | Main stream supports   |
| Video Bit Rate              | 32 Kbps to 8 Mbps  |
| <b>Image</b>                |  |
| Max. Resolution             | 1920 × 1080  |
| Main Stream                 | 50Hz: 25fps (1920 × 1080, 1280 × 960, 1280 × 720)<br>60Hz: 30fps (1920 × 1080, 1280 × 960, 1280 × 720)                     |
| Sub-stream                  | 50Hz: 25fps (640 × 480, 640 × 360, 320 × 240)<br>60Hz: 30fps (640 × 480, 640 × 360, 320 × 240)                             |
| Image Enhancement           | BLC, 3D DNR  |
| Image Setting               | Rotate mode, saturation, brightness, contrast, sharpness, AGC, white balance adjustable by client software or web browser  |
| Region of Interest          | 1 fixed region for main stream   |
| Day/Night Switch            | Day/Night/Auto/Schedule  |
| <b>Network</b>              |  |
| Network Storage             | Support Micro SD/SDHC/SDXC card (128G), local storage and ANR  |
| Alarm Trigger               | Motion detection, video tampering detection, network disconnected, IP address conflict, illegal login, HDD full, HDD error |
| Protocols                   | TCP/IP, ICMP, HTTP, HTTPS, FTP, DHCP, DNS, DDNS, RTP, RTSP, RTCP, NTP, UPnP, SMTP, IGMP, 802.1X, QoS, IPv6, UDP, Bonjour   |
| General Function            | One-key reset, anti-flicker, heartbeat, mirror, password protection, privacy mask, watermark                               |

|                               |   |
|-------------------------------|---|
| Firmware Version              | 5.5.82  |
| API                           | ONVIF (PROFILE S, PROFILE G), ISAPI   |
| Simultaneous Live View        | Up to 6 channels  |
| User/Host                     | Up to 32 users<br>3 levels: Administrator, Operator and User  |
| Client                        | HiLookVision PC Client, HiLookVision App  |
| Web Browser                   | IE8+, Chrome 41.0-44, Firefox 30.0-51, Safari 8.0-11  |
| <b>Interface</b>              |   |
| Audio                         | Built-in mic  |
| Communication Interface       | 1 RJ45 10M/100M self-adaptive Ethernet port   |
| Video Output (Without -Z)     | 1Vp-p composite output (75 Ω/BNC)   |
| On-board storage              | Built-in micro SD/SDHC/SDXC slot, up to 128 GB  |
| Reset Button                  | Yes   |
| <b>Audio</b>                  |   |
| Environment Noise Filtering   | Yes   |
| Audio Sampling Rate           | 8 kHz/16 kHz/32 kHz/44.1 kHz/48 kHz   |
| Audio Compression             | G.711/G.722.1/G.726/MP2L2/PCM   |
| Audio Bit Rate                | 64 Kbps (G.711)/16 Kbps (G.722.1)/16 Kbps (G.726)/32 to 192 Kbps (MP2L2)  |
| <b>General</b>                |   |
| Operating Conditions          | -30 °C to 45 °C (-22 °F to 113 °F), humidity: 95% or less (non-condensing)  |
| Power Supply                  | 12 VDC ± 25%, 5.5 mm coaxial power plug<br>PoE (802.3af, class 3)   |
| Power Consumption and Current | -Z model: 12 VDC, 0.8 A, max. 10 W; PoE: (802.3af, 36 V to 57 V), 0.4 A to 0.2 A, max. 12 W<br>Without -Z model: 12 VDC, 0.5 A, max. 6 W; PoE:(802.3af, 36 V to 57 V), 0.3 A to 0.1 A, max. 8 W |
| Protection Level              | IP66, IK10  |
| Material                      | IPC-D720H-V/Z model: bubble: plastic, front cover: metal, bottom base: metal<br>IPC-D720HE-V/Z model: bubble: plastic, front cover: plastic, bottom base: metal                                 |
| Dimensions                    | Camera: Φ 121 mm × 92 mm (4.8" × 3.6")<br>With package: 150 mm × 150 mm × 141 mm (5.9" × 5.9" × 5.6")   |
| Weight                        | Camera: Approx. 400 g (0.9 lb.)<br>With package: Approx. 700 g (1.5 lb.)  |

## Available Model

IPC-D720H-V (2.8 mm to 8 mm),  
 IPC-D720H-Z (2.8 mm to 8 mm),  
 IPC-D720HE-V (2.8 mm to 8 mm),  
 IPC-D720HE-Z (2.8 mm to 8 mm)

## Dimension



Unit: mm(inch)

## Accessory



HIA-B401-120  
Wall Mount



HIA-B401-120B  
Wall Mount



HIA-B101-120  
Pendant Mount



HIA-B201  
Corner Mount  
(Used with  
HIA-B401-120)



HIA-J104-DM46  
Junction Box